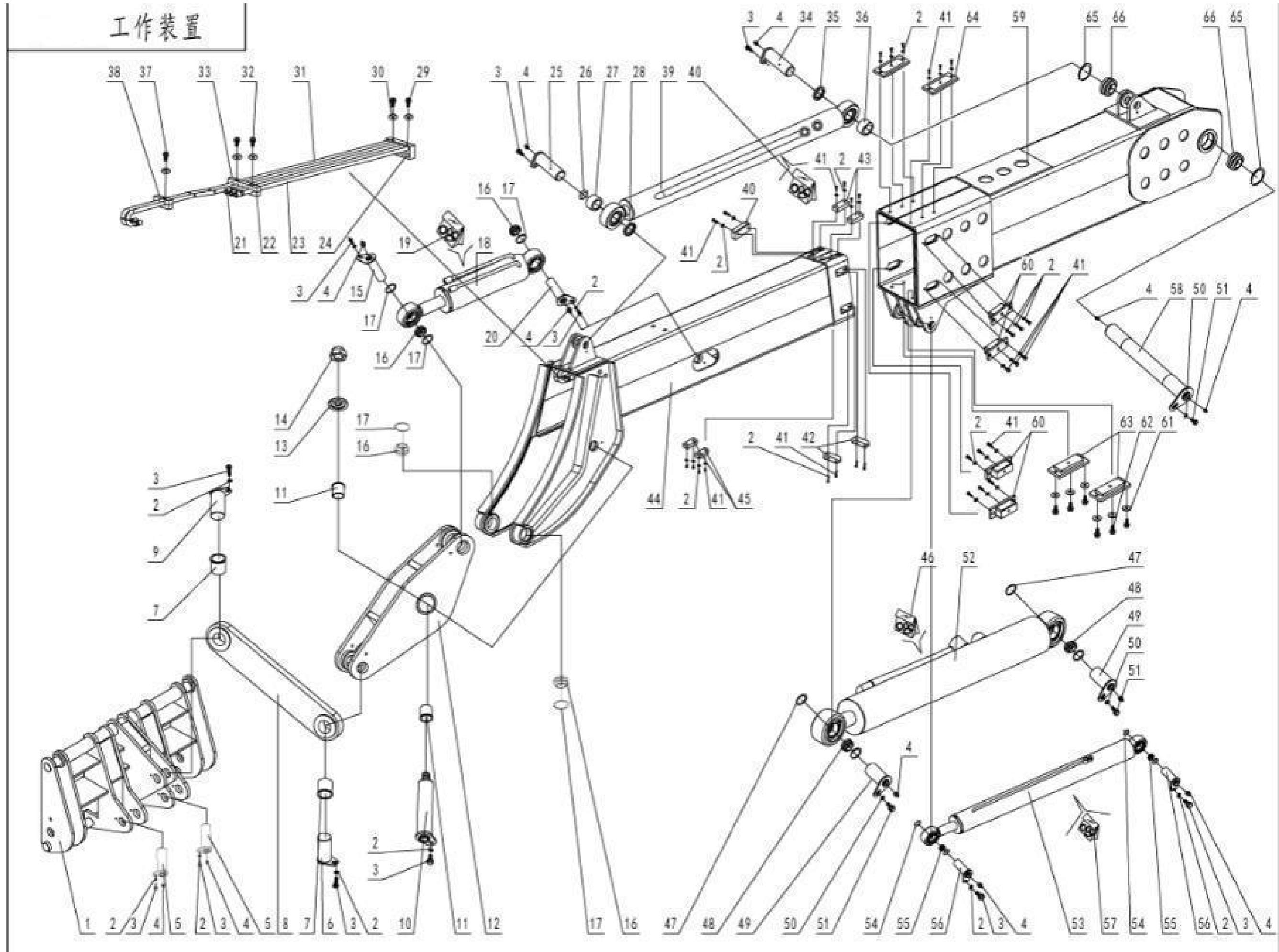


Fig.1. Working device



**1-1.Working device**

Number	Code	Quantity	Name
1	T2500101	1	快换接头 Hydraulic coupling
2	T2500102	12	gasket 8 垫圈
3	T2500103	12	螺栓 Bolt M8×20
4	T2500104	13	油杯 JB/T7940.1 oil cup M10×1
5	T2500105	2	LT16.1.20 二级臂前部销轴 The secondary beam front pin
6	T2500106	2	LT16.1.19 摇臂与连杆销轴 swing arm and pin of connection rod
7	T2500107	2	DY840-9 衬套 Sleeve 4040
8	T2500108	1	LT16.1.2 连杆 connection rod
9	T2500109	1	LT16.1.21 摇臂与接头销轴 swing arm and pin shaft
10	T2500110	1	LT16.1.12 摇臂轴组 swing arm shaft group
11	T2500111	2	DY840-9 衬套 sleeve
12	T2500112	1	LT16.1.3 摇杆 swing rod
13	T2500113	1	DY840.1-8 套 sleeve
14	T2500114	1	GB889.1-2000 锁紧螺母 jam nut M30
15	T2500115	1	LT16.1.11 翻斗缸前销轴 tipping cylinder front pin
16	T2500116	4	GB/T9163 轴承 shaft GE40ES-2RS
17	T2500117	6	GB893.1 挡圈 check ring 62
18	T2500118	1	LT16.1.7A 翻斗缸 tipping cylinder
19	T2500119	1	翻斗油缸液压件 hydraulic package of tipping cylinder
20	T2500120	1	LT16.1.14 翻斗缸后销 tipping cylinder rear pin

**1-2.Working device**

Number	Code	Quantity	Name
21	T2500121	5	AS10S 24° 焊接接头 welding joint M8×1.5
22	T2500122	1	LT16.1.4.3-2 下管夹 bracket bottom
23	T2500123	3	LT16.1.4.3-1 钢管 steel pipe
24	T2500124	1	LT16.1.3.1 管座 pipe holder
25	T2500125	1	LT16.1.13 伸缩缸销轴组 telescopic cylinder pins group
26	T2500126	1	GB893.1 挡圈 check ring 55
27	T2500127	1	GB/T9163 轴承 shaft GE35ES-2RS
28	T2500128	1	GB893.1 挡圈 check ring 55
29	T2500129	4	GB/T70.2 螺栓 bolt M10×25
30	T2500130	4	GB93-87 垫圈 gasket 10
31	T2500131	2	LT16.1-4.3-3 弯管 elbow
32	T2500132	2	GB70.1 螺钉 screw M10×30
33	T2500133	1	LT16.1.4.3.2 软管卡 flexible hose clamp
34	T2500134	1	LT16.1.13 伸缩缸销轴组 telescopic cylinder pin group
35	T2500135	2	GB893.1 挡圈 check ring 55
36	T2500136	1	GB/T9163 轴承 shaft GE35ES-2RS
37	T2500137	1	螺栓 bolt M8×25
38	T2500138	1	LT16.1.4.3.3 双管卡 double pipes clamp
39	T2500139	1	LT16.1.6 伸缩缸 telescopic cylinder
40	T2500140	1	伸缩油缸液压件 hydraulic package of telescopic cylinder

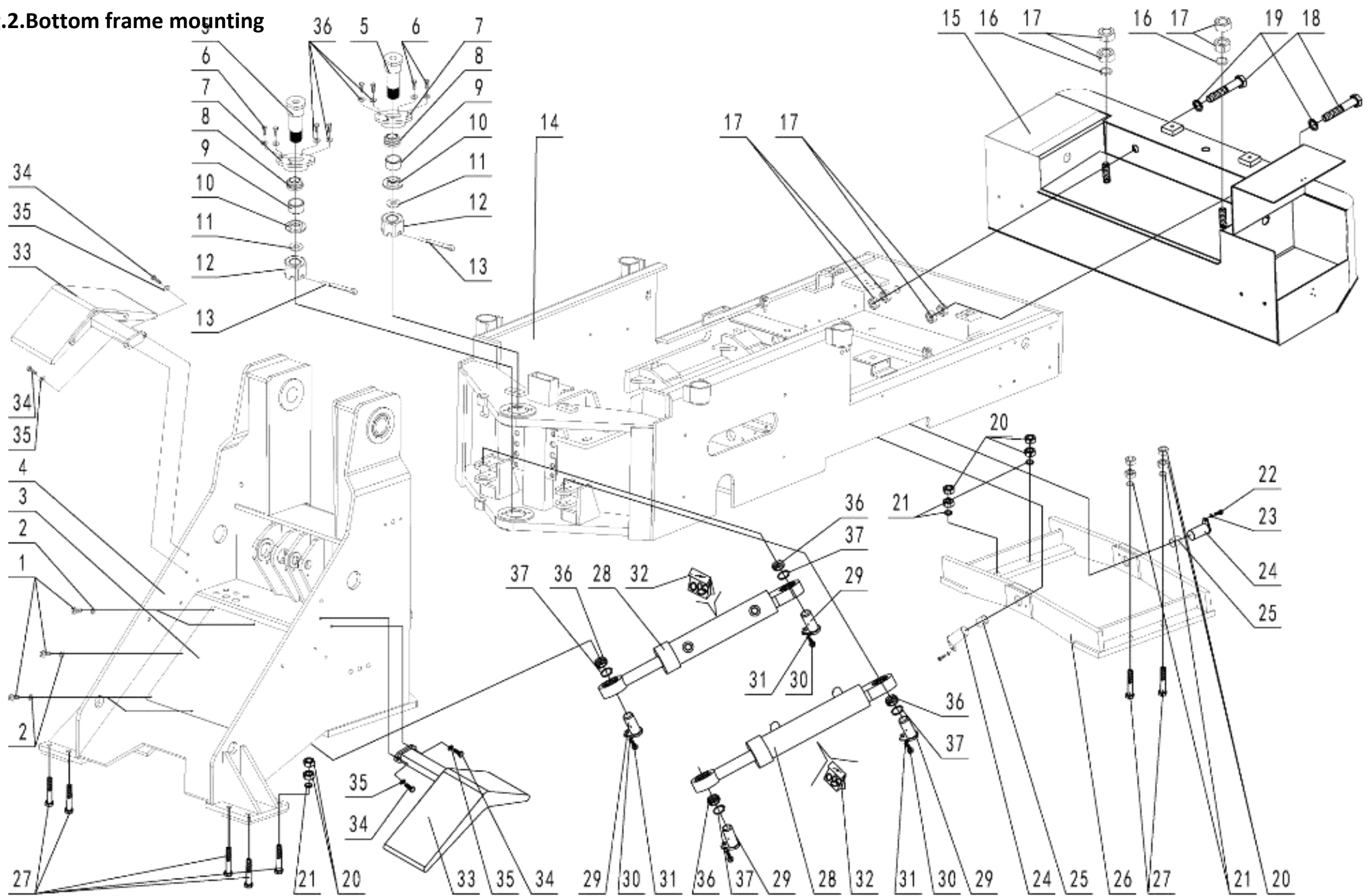
**1-3.Working device**

Number	Code	Quantity	Name
41	T2500141	12	螺栓 bolt M8×20
42	T2500142	4	二级臂侧滑块 secondary beam side slid block
43	T2500143	2	二级臂上下滑块 secondary beam slid block for up and down
44	T2500144	1	二级臂 secondary boom
45	T2500145	2	二级臂上下滑块 secondary beam slid block for up and down
46	T2500146	1	起升油缸液压件 lifting cylinder hydraulic package
47	T2500147	4	挡圈 check ring 75
48	T2500148	2	关节轴承 Knuckle bearing GE50ES
49	T2500149	2	起升缸前销 lifting cylinder front pin
50	T2500150	12	垫圈 gasket 10
51	T2500151	12	螺钉 screw M10×25
52	T2500152	1	起升油缸 lifting cylinder
53	T2500153	1	调平缸 Adjusting cylinder
54	T2500154	4	挡圈 check ring 47
55	T2500155	2	关节轴承 Knuckle bearing GE30ES
56	T2500156	1	调平缸销轴 Adjusting cylinder pin
57	T2500157	1	调平缸液压件 Adjusting cylinder hydraulic package
58	T2500158	1	基本臂销轴 Basic boom pin
59	T2500159	1	基本臂 basic boom
60	T2500160	4	基本臂侧滑块组 basic boom side slid block

**1-4.Working device**

Number	Code	Quantity	Name
61	T2500161	6	GB93-2000 垫圈 gasket 12
62	T2500162	6	GB5783-2000 螺栓 bolt M12×25
63	T2500163	2	基本比下滑块组 basic boom slid block for down
64	T2500164	2	基本比上滑块组 basic boom slid block for up
65	T2500165	2	挡圈 check ring 75
66	T2500166	2	关节轴承 knuckle bearing GE50ES -2RS

Fig.2. Bottom frame mounting



**2-1.Bottom frame mounting**

Number	Code	Quantity	Name
1	T2500201	8	螺栓 bolt M8×25
2	T2500202	8	垫圈 gasket 8
3	T2500203	1	盖板 cover plate
4	T2500204	1	前车架 front frame
5	T2500205	2	铰接轴 articulated axle
6	T2500206	8	螺栓 bolt M10×45
7	T2500207	2	压盖 downward pressure cover
8	T2500208	2	轴承 shaft GE40ES-2RS
9	T2500209	2	隔套 spacer sleeve
10	T2500210	2	垫板 bolster plate
11	T2500211	2	垫圈 gasket 36
12	T2500212	2	螺母 nut M36
13	T2500213	2	开口销 splint pin 6.3×60
14	T2500214	1	后车架 rear frame
15	T2500215	1	配重 counterweight
16	T2500216	4	垫圈 gasket 24
17	T2500217	8	螺母 nut M24
18	T2500218	2	螺栓 bolt M24×120
19	T2500219	2	垫圈 gasket 24
20	T2500220	16	螺母 nut M16

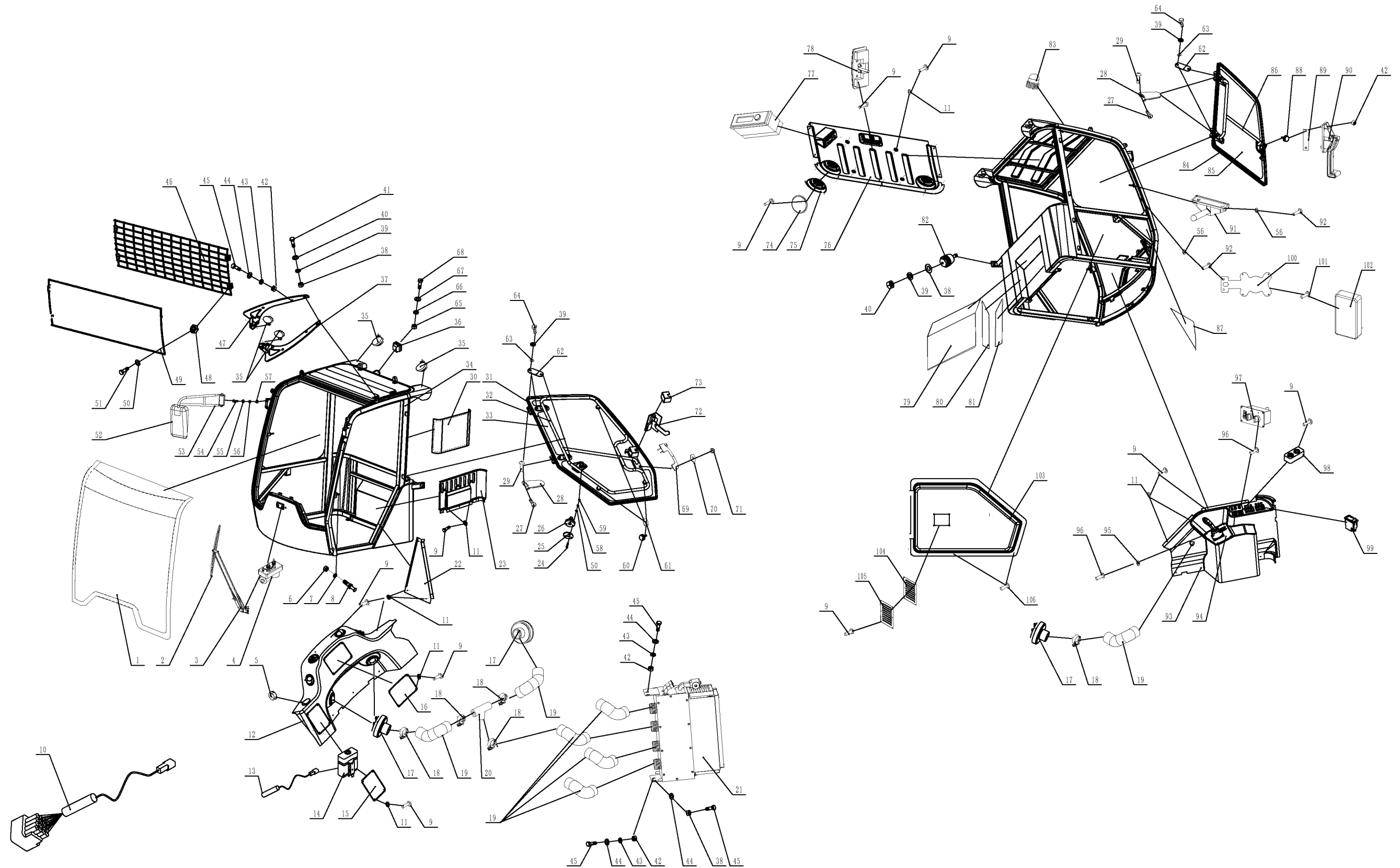
**2-2.Bottom frame mounting**

Number	Code	Quantity	Name
21	T2500221	16	垫圈 gasket 16
22	T2500222	2	螺栓 bolt M12×25
23	T2500223	2	垫圈 gasket 12
24	T2500224	2	轴焊合 shaft welded
25	T2500225	2	固体润滑轴承 solid lubrication bearing
26	T2500226	1	车桥 axle
27	T2500227	16	螺栓 bolt M16×90
28	T2500228	2	转向缸 turning cylinder
29	T2500229	4	转向缸轴承 turning cylinder shaft
30	T2500230	2	垫圈 gasket 8
31	T2500231	2	螺栓 bolt M8×25
32	T2500232	2	转向缸密封包 seal assembly for turning cylinder
33	T2500233	2	挡泥瓦 mudguard
34	T2500234	4	螺栓 bolt M10×30
35	T2500235	4	垫圈 gasket 10
36	T2500236	4	轴承 shaft GE30ES-2RS
37	T2500237	8	GB893.1 挡圈 check ring 47

Fig.3.Driver Cabin mounting

驾驶室安装 (新款)

Part 20



925T

**Fig.3-1.Driver Cabin mounting**

Number	Code	Quantity	Name
1	T2500301	1	前挡玻璃 Front windshield
2	T2500302	1	雨刷片 Wiper Blades
3	T2500303	1	雨刷连杆
4	T2500304	1	雨刷电机 Wiper Linkage
5	T2500305	1	(喷水壶) 盖板(sprinkler) cover plate
6	T2500306	1	螺母 M12 nut
7	T2500307	1	弹垫 12 gasket
8	T2500308	1	门锁轴 Door lock shaft
9	T2500309	80	自攻丝 self-tapping screw
10	T2500310	1	线束总成 Wire Harness assy
11	T2500311	80	装饰扣(灰) Decorative buckle (gray)
12	T2500312	1	前内饰 front interior
13	T2500313	1	喷水管及接头 Spray pipes and joints
14	T2500314	1	水壶 kettle
15	T2500315	1	(水壶) 盖板 kettle cover plate
16	T2500316	1	检查盖板 inspection cover
17	T2500317	7	出风口 air outlet
18	T2500318	24	喉箍 Hose clamps
19	T2500319	6	风管(短的用长的截开) Air duct
20	T2500320	3	风口三通 Tuyere tee

**Fig.3-2.Driver Cabin mounting**

Number	Code	Quantity	Name
21	T2500321	1	蒸发箱 evaporator
22	T2500322	1	左三角内饰 Left triangle interior
23	T2500323	1	后内饰 rear interior
24	T2500324	3	螺钉 M6X30bolt
25	T2500325	1	胶垫 rubber gasket
26	T2500326	1	碰锁 latch
27	T2500327	4	合页螺丝 Hinges screw
28	T2500328	4	合页 hinge
29	T2500329	4	合页轴 hinge shaft
30	T2500330	1	后挡玻璃 rear windshield
31	T2500331	1	(门玻璃) 胶条(door glass) tape
32	T2500332	1	门固定支架 Door fixing bracket
33	T2500333	1	门玻璃 door glass
34	T2500334	1	司机室焊合 cabin seam
35	T2500335	4	椭圆灯 Elliptic lamp
36	T2500336	1	摄像头 camera
37	T2500337	1	左支架 left support
38	T2500338	5	螺母 M10 nut
39	T2500339	12	弹垫 10 spring gasket
40	T2500340	12	大平垫 10 Pacific mat

**Fig.3-3.Driver Cabin mounting**

Number	Code	Quantity	Name
41	T2500341	4	螺栓 M10x30 screw
42	T2500342	4	螺母 M8 nut
43	T2500343	4	弹垫 8 spring gasket
44	T2500344	4	平垫 8 flat mat
45	T2500345	4	螺栓 M8x25 screw
46	T2500346	1	防护网 Grid guard
47	T2500347	1	右支架 right bracket
48	T2500348	8	胶垫 rubber gasket
49	T2500349	1	阳光板 solar panel
50	T2500350	8	大平垫 6 Pacific mat
51	T2500351	8	螺栓 M6X25 screw
52	T2500352	2	后视镜 Rear view mirror
53	T2500353	2	后视镜支架 rear mirror bracket
54	T2500354	8	螺栓 M6X20 screw
55	T2500355	8	平垫 6 flat mat
56	T2500356	8	弹垫 6 spring gasket
57	T2500357	8	螺母 M6 nut
58	T2500358	3	弹垫 6 spring gasket
59	T2500359	3	螺母 M6 nut
60	T2500360	3	门玻璃螺栓（带塑料头）-短 Door glass bolt (with plastic head)- short

**Fig.3-4.Driver Cabin mounting**

Number	Code	Quantity	Name
61	T2500361	3	胶垫 rubber gasket
62	T2500362	4	胶垫 rubber gasket
63	T2500363	8	大平垫 10 pacific mat
64	T2500364	8	螺栓 M10x20 screw
65	T2500365	2	螺母 M5 nut
66	T2500366	2	弹垫 5spring gasket
67	T2500367	2	大平垫 5pacific mat
68	T2500368	2	螺钉 M5x16 bolt
69	T2500369	1	门把手 door knob
70	T2500370	1	大平垫 6 pacific mat
71	T2500371	1	自锁螺母 M6 locknut
72	T2500372	1	门锁 door lock
73	T2500373	1	门锁护罩 door cover
74	T2500374	2	喇叭护罩 horn shield
75	T2500375	2	喇叭 horn
76	T2500376	1	顶内饰 top interior
77	T2500377	1	收音机 radio
78	T2500378	1	内饰灯 interior lamp
79	T2500379	1	后隔热棉 rear heat insulation foam
80	T2500380	1	左隔热棉 left heat insulation foam



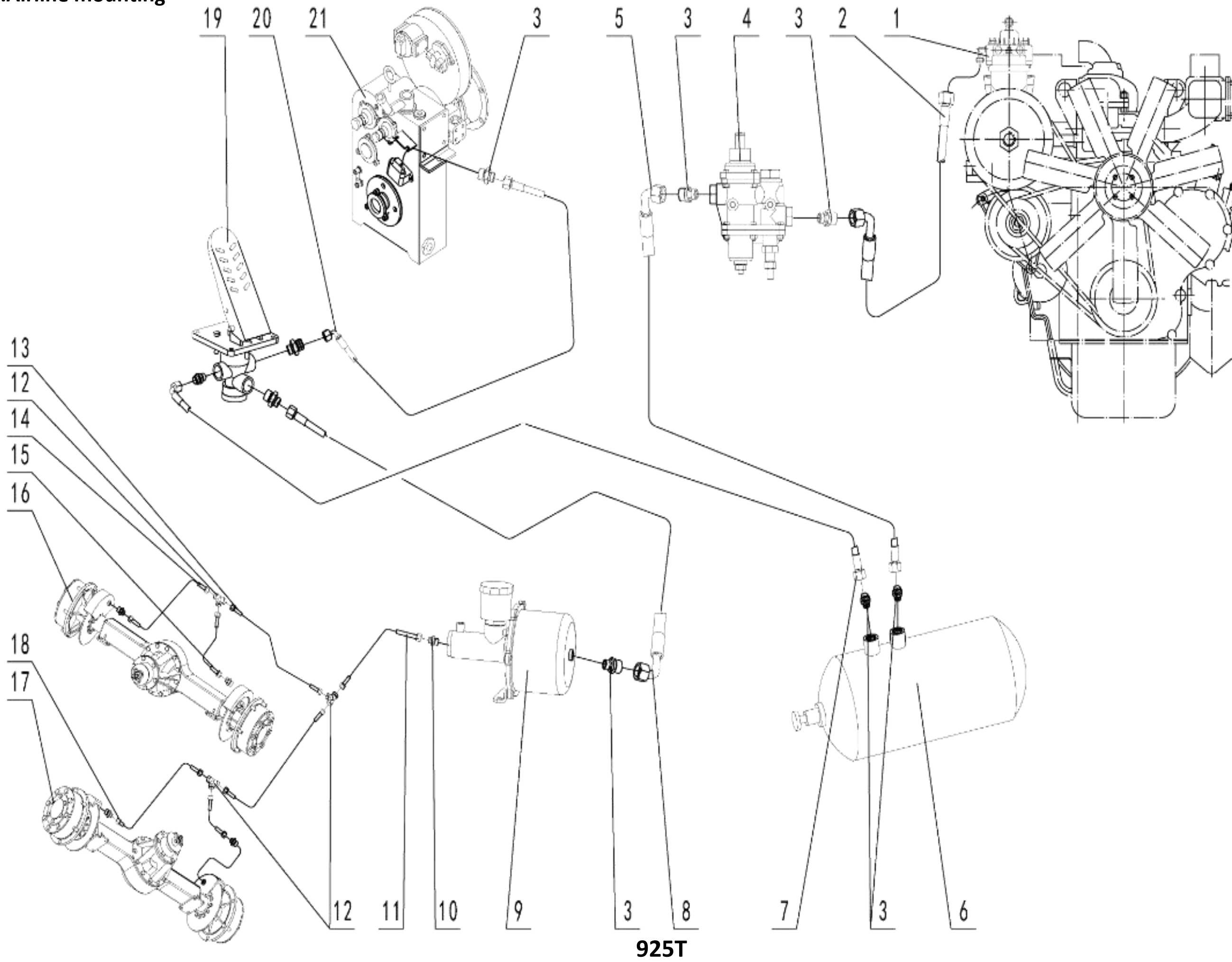
Fig.3-5.Driver Cabin mounting

Number	Code	Quantity	Name
81	T2500381	1	右隔热棉 right heat insulation foam
82	T2500382	1	碰锁 latch
83	T2500383	1	警灯 warning light
84	T2500384	1	(窗玻璃) 胶条(window glass) tape
85	T2500385	1	窗玻璃 window glass
86	T2500386	1	窗固定支架 Window bracket
87	T2500387	1	三角玻璃 glass triangle
88	T2500388	2	窗玻璃螺栓(带塑料头)-长 Window glass bolts (with plastic ends)
89	T2500389	1	胶垫 rubber gasket
90	T2500390	1	窗把手 window hook
91	T2500391	1	窗把手支架 window bracket
92	T2500392	4	螺钉 M6x25 bolt
93	T2500393	1	右内饰 right interior
94	T2500394	1	阀盖板 valve cover plate
95	T2500395	4	内饰扣(黑) interior buckle
96	T2500396	8	自攻丝 self-tapping screw
97	T2500397	1	空调开关 switch of A/C
98	T2500398	1	点烟器 Cigar Lighter
99	T2500399	1	翘板开关组合(按配置不同) button switch rocker assy
100	T25003100	1	显示器支架 display dashboard bracket

Fig.3-6.Driver Cabin mounting

Number	Code	Quantity	Name
101	T25003101	4	螺钉 M4X16 screw
102	T25003102	1	倒车影像显示器 Reversing image display
103	T25003103	1	暖风箱外饰件 Warm bellows exterior trim
104	T25003104	1	海绵 foams
105	T25003105	1	百页窗 shutter
106	T25003106	8	自攻丝 self-tapping screw
101	T25003107	4	螺钉 M4X16 screw

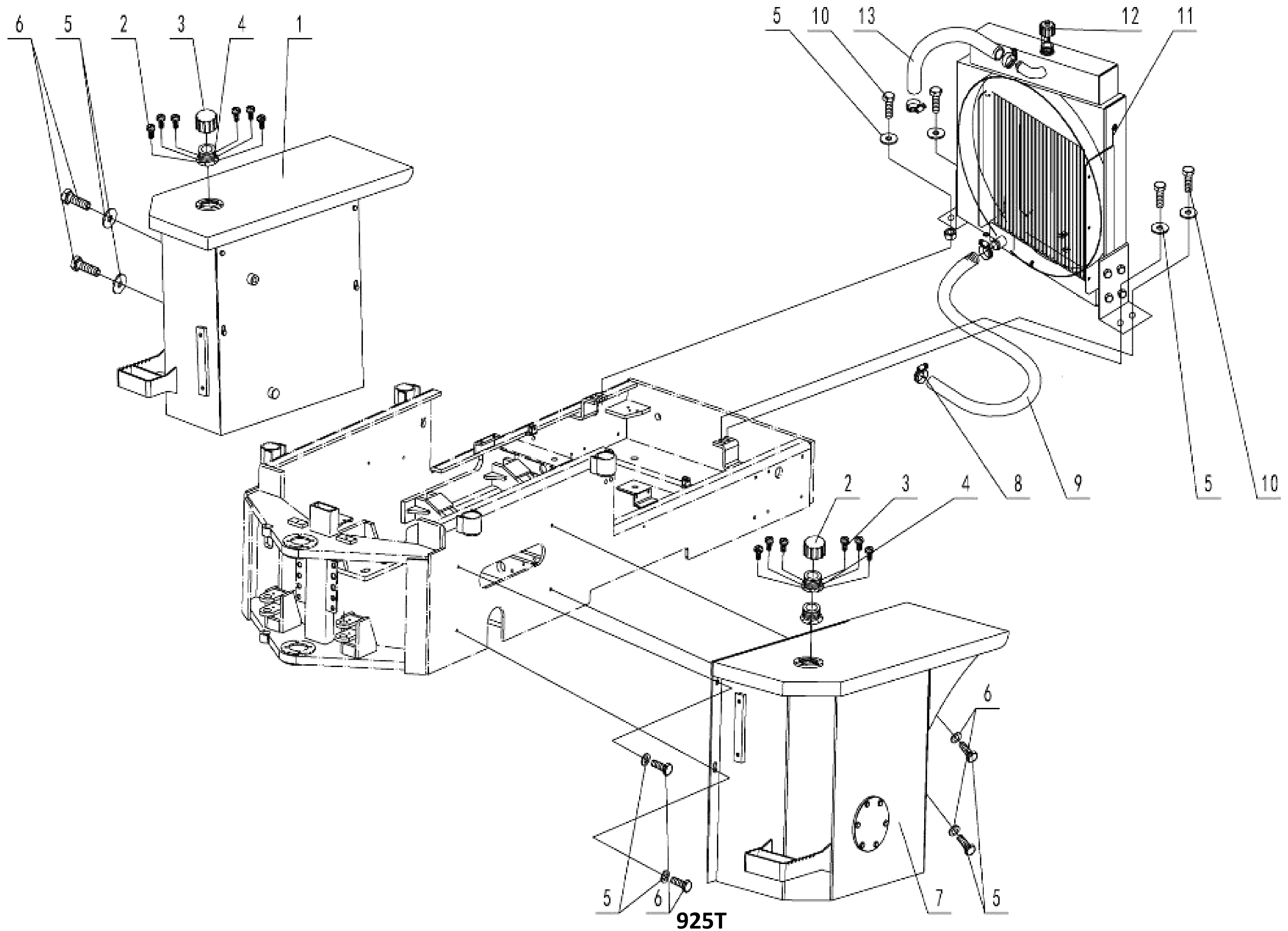
Fig.4.Airline mounting



**4.Airline mounting**

Number	Code	Quantity	Name
1	T2500401	1	气泵 air pump
2	T2500402	1	金属软管 Metal flexible hose 10l×500
3	T2500403	9	接头体 Coupling body M22×1.5ED/M18×1.5E
4	T2500404	1	油水分离器组合阀 Oil water separator combination valves
5	T2500405	1	软管 flexible hose 10l×750-90°×1
6	T2500406	1	储气筒 air reservoir
7	T2500407	1	软管 flexible hose 10l×1600
8	T2500408	1	软管 flexible hose 10l×2200-90°×1
9	T2500409	1	空气加力泵 Air booster pump
10	T2500410	5	接头体 Coupling body M12×1.25/M12×1.25E
11	T2500411	1	钢管 steel pipe Ø6×1
12	T2500412	3	三通接头体 tee coupling body M12×1.25E
13	T2500413	1	钢管 steel pipe Ø6×1
14	T2500414	1	钢管 Steel pipe Ø6×1
15	T2500415	1	钢管 Steel pipe Ø6×1
16	T2500416	1	后桥 rear axle
17	T2500417	1	前桥 front axle
18	T2500418	1	钢管 Steel pipe Ø6×1
19	T2500419	1	气制动总阀 air brake control valve
20	T2500420	1	软管 flexible hose 10l×700-90°×1
21	T2500421	1	变矩器 Hydraulic torque converter

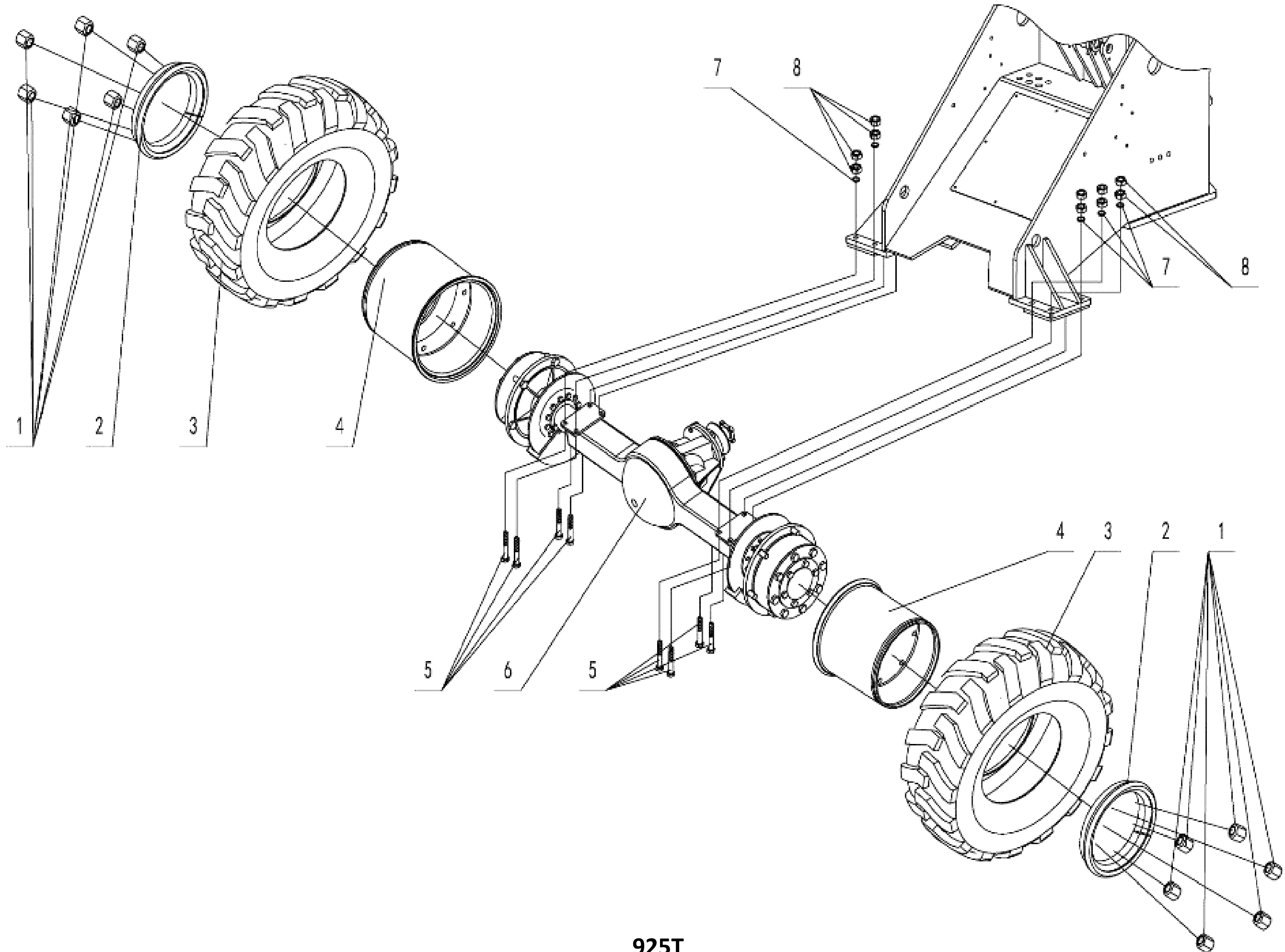
Fig.5. Rear frame parts mounting



## 5.Rear frame parts mounting

Number	Code	Quantity	Name
1	T2500501	1	燃油箱 fuel tank
2	T2500502	2	空滤 air fliter
3	T2500503	12	螺栓 screw M4×12
4	T2500504	2	空气过滤器座 Air filter holder
5	T2500505	12	垫圈 Gasket 12
6	T2500506	8	螺栓 Bolt M12×25
7	T2500507	1	液压油箱 Hydraulic oil tank
8	T2500508	4	卡箍 Clamp
9	T2500509	1	下水管 Down-comer pipe
10	T2500510	4	螺栓 Bolt M12×35

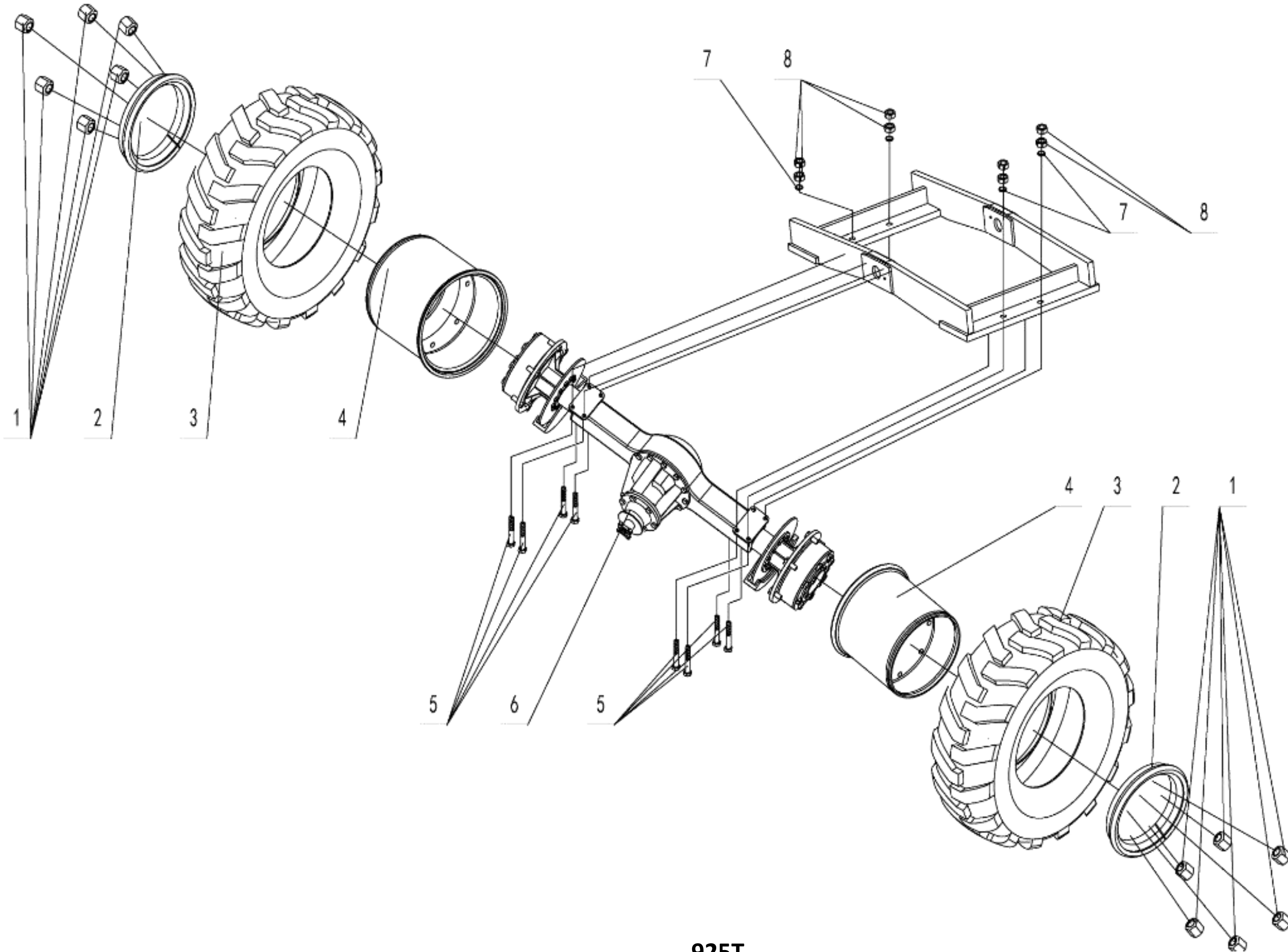
Fig.6. Front wheels Installation



## 6.Front wheels installation

Number	Code	Quantity	Name
1	T25000601	12	轮胎螺栓 Tyre bolt
2	T25000602	2	轮胎压条 Rim layering
3	T25000603	2	轮胎 Tyre
4	T25000604	2	轮辋 Rim
5	T25000605	8	螺栓 bolt M16×190
6	T25000606	1	前桥 front axle

Fig.7.Rear Wheels mounting

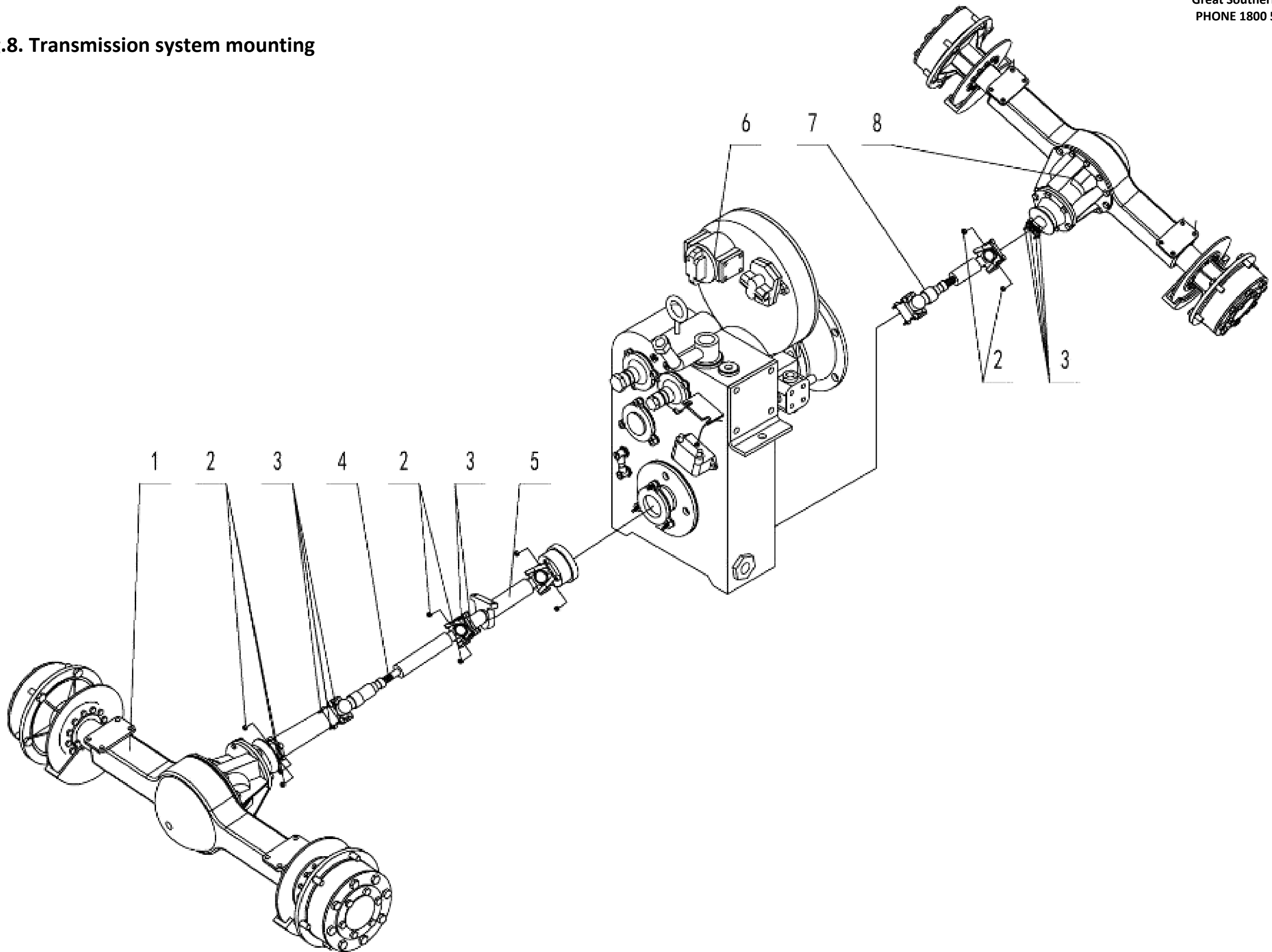




## 7.Rear wheels mounting

Number	Code	Quantity	Name
1	T2500701	12	轮胎螺栓 Tyre bolt
2	T2500702	2	轮辋压条 Rim layering
3	T2500703	2	轮胎 Tyre
4	T2500704	2	轮辋 Rim
5	T2500705	8	螺栓 bolt M16×190
6	T2500706	1	后桥 rear axle
7	T2500707	8	垫圈 gasket 16
8	T2500708	16	螺母 nut M16

Fig.8. Transmission system mounting

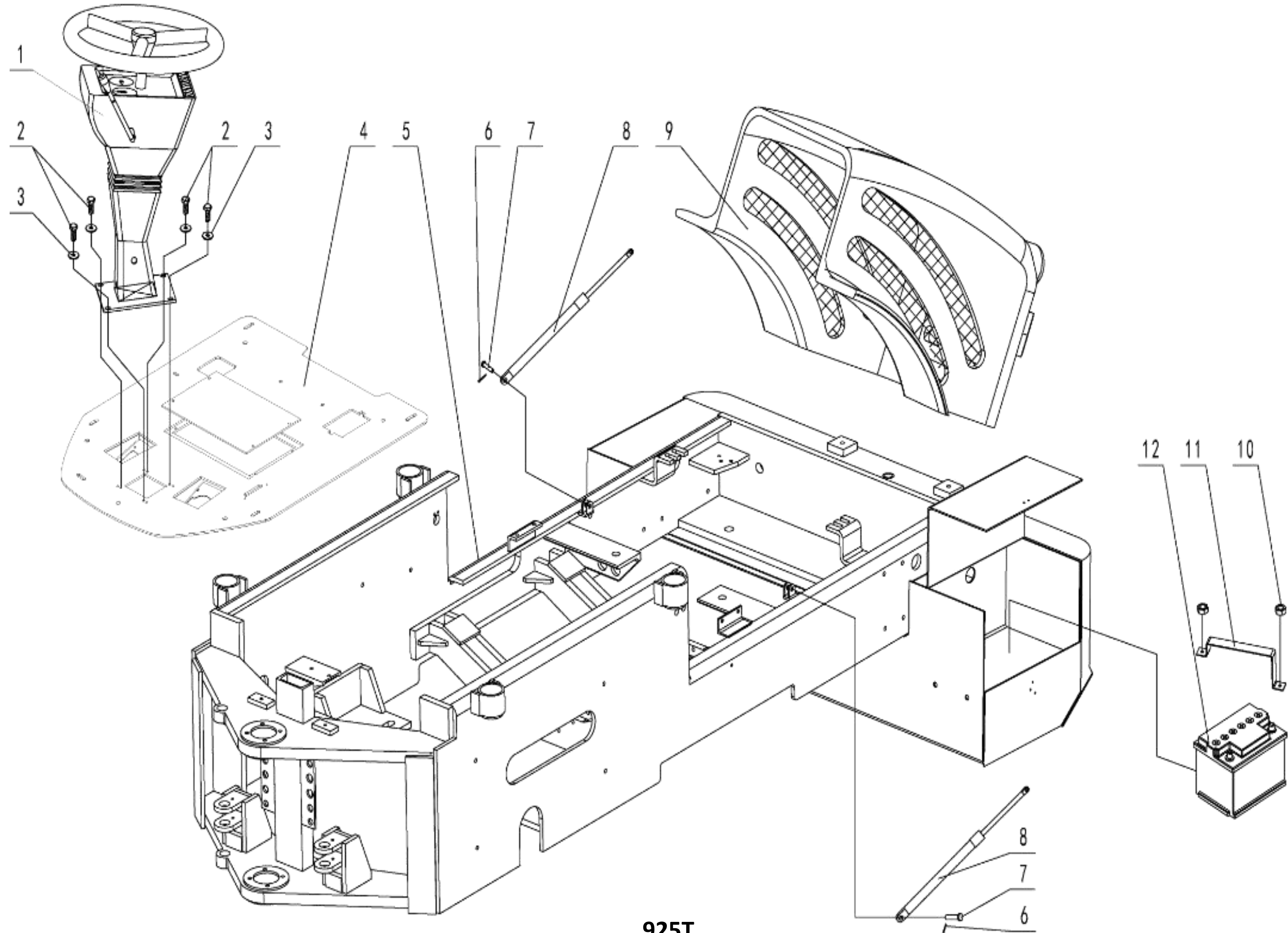


### 8.Transmission system mounting

Number	Code	Quantity	Name
1	T2500801	1	前桥 front axle
2	T2500802	20	螺母 nut M12×1.25
3	T2500803	16	螺栓 bolt M12×1.25×41
4	T2500804	1	传动轴 transmission shaft 780
5	T2500805	1	传动轴 Transmission shaft 460(with fixed seat)
6	T2500806	1	变矩器 265 Torque converter
7	T2500807	1	传动轴 Transmission shaft
8	T2500808	1	后桥 rear axle

NOTE:NO.7 has three kinds (225,240,270),replacement the transmission shaft according the detailed configuration.

Fig.9. Steering wheel ,engine hood installation

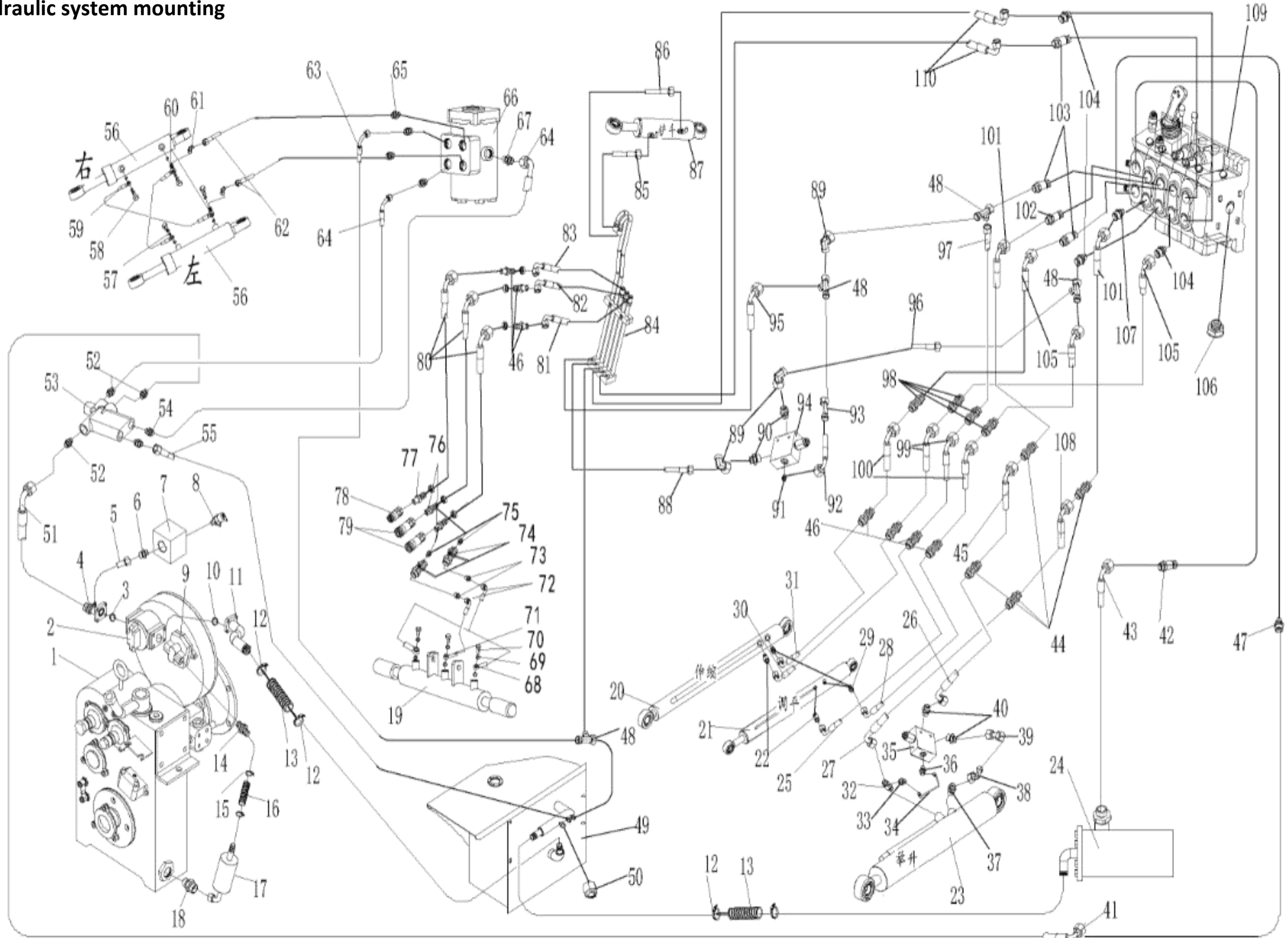


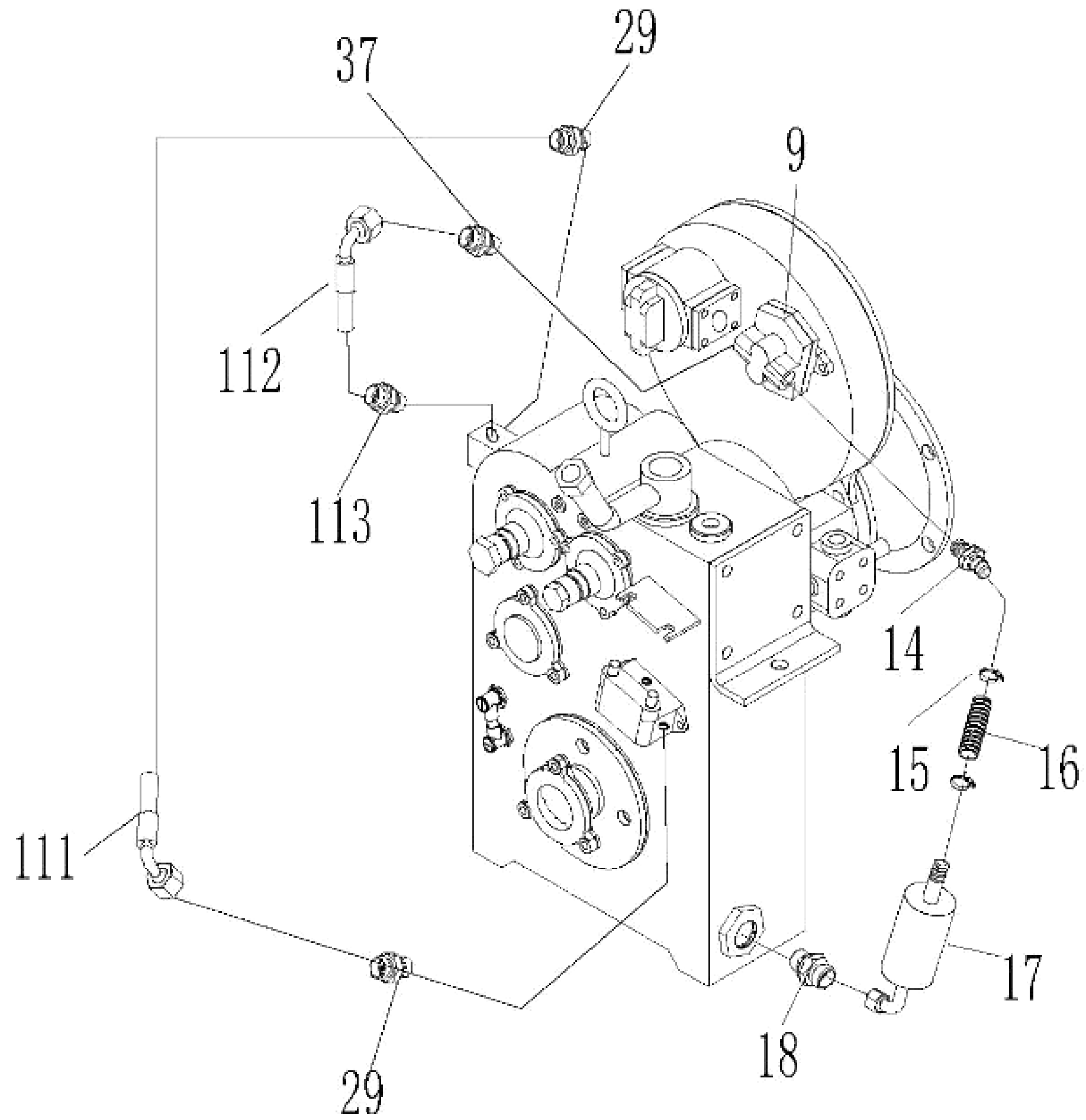
925T

## 6.Rear cover installation

Number	Code	Quantity	Name
1	T2500901	1	仪表台 instrument desk
2	T2500902	4	螺栓 Bolt M10×40
3	T2500903	4	垫圈 Gasket 10
4	T2500904	1	驾驶室底板 cabin bolster plate
5	T2500905	1	后车架 rear frame
6	T2500906	2	开口销 Splint pin
7	T2500907	2	销轴 Pin
8	T2500908	2	气弹簧 Gas spring
9	T2500909	1	后机罩 rear cover
10	T2500910	4	螺母 Nut M8

Fig.10. Hydraulic system mounting





925T

**10-1.Hydraulic system mounting**

Number	Code	Quantity	Name
1	T2501001	1	变矩器 Torque converter
2	T2501002	1	高压齿轮泵 high pressure gear pump
3	T2501003	1	出油口密封件 Oil-out seal
4	T2501004	1	出油口接头 Oil-out connector
5	T2501005	1	6I-750/M14*1.5H/-90*1
6	T2501006	1	M10*1ED/M14*1.5E
7	T2501007	1	连接块 coupling block
8	T2501008	1	测液压接头 Pressure tester connector
9	T2501009	1	低压齿轮泵 Low pressure gear pump(18)
10	T2501010	1	吸油口密封件 Oil-suck seal
11	T2501011	1	吸油口弯管 Oil suck elbow
12	T2501012	4	卡箍 Clamp
13	T2501013	1	夹布胶管 wrapped hose
14	T2501014	1	M27*2ED/Ø25.5
15	T2501015	2	卡箍 Clamp
16	T2501016	1	夹布胶管 Wrapped hose
17	T2501017	1	变矩器吸油过滤器 Oil-suck filter for torque converter
18	T2501018	1	变矩器吸油接头体 Oil-suck coupling body for torque converter
19	T2501019	1	插销缸 Quick coupling cylinder
20	T2501020	1	伸缩缸 Telescopic cylinder

**10-2.Hydraulic system mounting**

Number	Code	Quantity	Name
21	T2501021	1	调平缸 Adjusting cylinder
22	T2501022	3	M18*1.5ED/M18*1.5E 25
23	T2501023	1	举升缸 lifting cylinder
24	T2501024	1	回油过滤器 Oil return filter
25	T2501025	1	10II-620/M18*1.5H/90*1
26	T2501026	1	13II*600/M22*1.5H/20*1
27	T2501027	1	13II*600/M22*1.5H/90*1
28	T2501028	1	10II-630/M18*1.5H/90*1
29	T2501029	3	M18*15ED/M18*1.5E
30	T2501030	1	10II-560/M18*1.5H/90*1
31	T2501031	1	10II-620/M18*1.5H/90*1
32	T2501032	1	M22*1.5ED/M18*1.5E
33	T2501033	1	M10*1.5ED/M22*1.5E 30 with M10*1
34	T2501034	1	钢管 steel pipe
35	T2501035	1	阀块 1 valve block 1
36	T2501036	1	G1/4*19ED/M14*5E
37	T2501037	2	M22*1.5ED/M22*1.5E
38	T2501038	1	直角 Right-angle M22*1.5H/M22*1.5E
39	T2501039	1	M22*1.5H/M22*1.5H
40	T2501040	2	G1/2*14ED/M22*1.5H



**10-3.Hydraulic system mounting**

Number	Code	Quantity	Name
41	T2501041	1	16II-1100/M26*1.5H/90*1
42	T2501042	1	G1/2*14ED/M30*1.5E 32
43	T2501043	1	19I-1000/M30*1.5H90/M30*1.5A
44	T2501044	4	M22*1.5E/M22*1.5E 41 带螺母 with nut
45	T2501045	1	13II-780/M22*1.5H/90*1
46	T2501046	7	M18*1.5E/M18*1.5E 70 带螺母 with nut
47	T2501047	1	G1/2*14ED.M26*1.5E
48	T2501048	4	三通 tee coupling M18*1.5H/M18*1.5E*2
49	T2501049	1	液压油箱总成 Hydraulic oil tank assembly
50	T2501050	1	死堵 M22*1.5H bull plug
51	T2501051	1	16II-600/M27*15H/90*1
52	T2501052	3	M27*20DE/M27*1.5E
53	T2501053	1	优先阀 priority valve
54	T2501054	1	M12*1.5ED ,M18*1.5E
55	T2501055	1	10I-1600/M18*1.5A90/M18*1.5H
56	T2501056	2	转向缸 turning cylinder
57	T2501057	8	O 型圈 O ring
58	T2501058	4	空心螺栓 Hollow bolt M18*1.5
59	T2501059	2	10II-900/M18*1.5H/Q18*1.5
60	T2501060	2	Q18*1.5/M18*1.5 90

**10-4.Hydraulic system mounting**

Number	Code	Quantity	Name
61	T2501061	2	直角 Right-angle M18*1.5H/M18*1.5E
62	T2501062	2	10II-600/M18*1.5H/Q18*1.5
63	T2501063	1	10II-550/M18*1.5H
64	T2501064	1	10II-650/M18*1.5H/90*1
65	T2501065	4	M20*1.5ED/M18*1.5E
66	T2501066	1	250 转向器 steering gear
67	T2501067	1	M12*1.5ED/M18*1.5E
68	T2501068	1	插销缸有杆腔钢管 Quick coupling cylinder steel pipe with rod cavity
69	T2501069	6	14 组合垫 compound gasket
70	T2501070	3	14 空心螺栓 Hollow bolt
71	T2501071	1	插销缸无杆腔钢管 Quick coupling cylinder steel pipe without rod cavity
72	T2501072	2	6II-700/M14*1.5H
73	T2501073	2	G1/4*19ED/M14*1.5E
74	T2501074	2	球阀 Ball valve
75	T2501075	2	G1/4*19ED/M10*1ED
76	T2501076	2	G1/2*14ED/M27*1.5E 32 (with M10*1)with nut
77	T2501077	1	G1/2*14ED/M18*1.5E 32( with nut )
78	T2501078	1	G 1/2 A quick connector (male)
79	T2501079	2	G 1/2 A quick connector (female)
80	T2501080	3	10II-1100/M18*1.5H/90*1

### 10-5.Hydraulic system mounting

Number	Code	Quantity	Name
81	T2501081	1	10II-440/M18*1.5H/90*1
82	T2501082	1	10II-420/M18*1.5H/90*1
83	T2501083	1	10I-450/M18*1.5H/90*1
84	T2501084	1	钢管 steel pipe
85	T2501085	1	10II-500/M18*1.5H
86	T2501086	1	10II-630/M18*1.5H
87	T2501087	1	铲斗油缸 bucket cylinder
88	T2501088	1	10II-1550/M18*1.5H
89	T2501089	3	Right-angle M18*1.5H/M18*1.5E
90	T2501090	2	G3/8ED/M18*1.5E
91	T2501091	1	G 1/4*19ED/M16*1.5E
92	T2501092	1	8I-1100/M16*1.5H/90*1
93	T2501093	1	Through M18*1.5H.M16*1.5E
94	T2501094	1	阀块 2Valve block 2
95	T2501095	1	10II2250/M18*1.5H/90*1
96	T2501096	1	10II-2250/M18*1.5H
97	T2501097	1	10II-1100/M18*1.5H
98	T2501098	4	M18*1.5E/M18*1.5E 70 with nut
99	T2501099	2	10II-830/M18*1.5H/90*1
100	T2501100	2	10II-780/M18*1.5H/90*1

### 10-5.Hydraulic system mounting

Number	Code	Quantity	Name
101	T2501101	2	13II-1550/M22*1.5H/90*1
102	T2501102	1	G1/2*14ED/M18*1.5E 32
103	T2501103	3	G1/2*14ED/M18*1.5E 32
104	T2501104	3	G1/2*14ED/M18*1.5E
105	T2501105	3	10II-1550/M18*1.5H/90*1
106	T2501106	1	G1/2*14ED bull plug
107	T2501107	1	G1/2*14ED.M22*1.5E
108	T2501108	1	13II-830/M22*1.5H/90*1
109	T2501109	1	multiple-way valve
110	T2501110	2	10II-2250/M18*1.5H/90*1
111	T2501111	1	10II-950/M18*1.5H/90*2 co-rotating
112	T2501112	1	13II-520/M22*1.5H/20°*1
113	T2501113	1	M27*20DE/M27*1.5E